

Terminal Block, Plug

STB2040V-3.5-XX

Description

The STB2040V-3.5-xx is a Terminal Block Horizontal Plug Header with a 3.5 mm pitch. The connector is available from 2 up to 24 poles.



Typical applications

- Wire to Board
- Board to Wire



Features

Mechanical Properties	Description
Connector Type	Terminal Plug
Orientation	Horizontal
Dimensions	$((\text{Poles} - 1) * 3.5 + 0.9) \times 16.4 \times 11.2 \text{ mm} \pm 0.2$
Operating Temperature Range	-40°C~+105°C
Torque	0.2 Nm (1.8 Lb.in)
Cable Stripping Length	6 - 7mm
Pitch	3.5 mm
Poles	2-24 Poles
Insulator body	PA66, UL94V-0
Contact	Brass, Sn plated
Cage	Brass, Ni plated
Terminal Screw	M2.0, Steel Zn plated
Clamp	Phosphor bronze, Ni plated

Terminal Block, Plug

STB2040V-3.5-XX

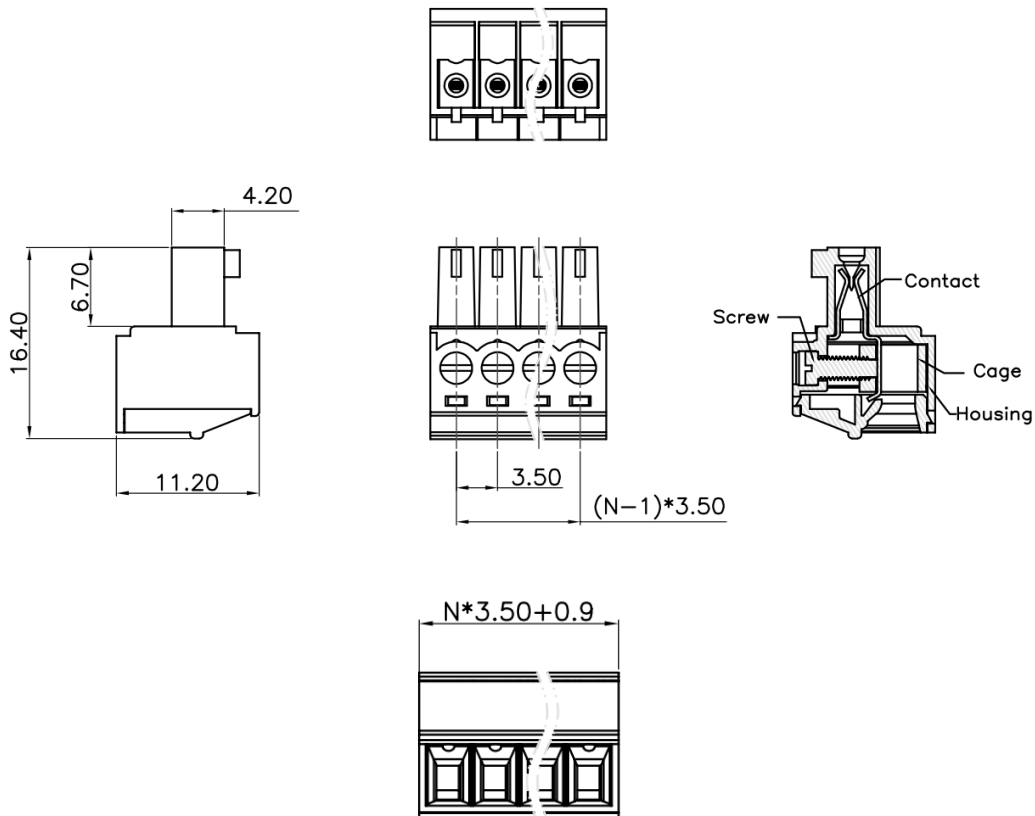
Electrical Properties

Description

Standard	UL	IEC
Rated Voltage	300V	250V
Rated Current	8A	7A
Contact Resistance	20mΩ (Max.)	
Insulation Resistance	500MΩ / 500V	
Withstanding Voltage	AC 1600V / 1Min.	
Wire Range	16 – 28 AWG, 1.5mm ²	

Dimensions

*unit: mm, N= number of poles



Terminal Block, Plug

STB2040V-3.5-XX

Pole	2	3	4	5	6	7	8	9	10	11	12	13
Length	7,9	11,4	14,9	18,4	21,9	25,4	28,9	32,4	35,9	39,4	42,9	46,4
Pitch	3,5	7	10,5	14	17,5	21	24,5	28	31,5	35	38,5	42

Pole	14	15	16	17	18	19	20	21	22	23	24
Length	49,9	53,4	56,9	60,4	63,9	67,4	70,9	74,4	77,9	81,4	84,9
Pitch	45,5	49	52,5	56	59,5	63	66,5	70	73,5	77	80,5

Part number

STB2040X-XXX-XX

STB2040	Style of connector
V	Vertical
3,5	Pitch
XX	Poles 2,3,4,5,6,7,8, 9,10, 11,12, 13,14,15,16,17,18,19,20, 21,22,23,24

Ordering information

Ordering can be done via www.summit-electronics.com or via info@summit-electronics.com. Please contact us for more information. Customisation of the product is available on request.

Technical support

For all product questions please contact us via info@summit-electronics.com

Document revision

Rev	Date	changes
V01.00	06-04-2023	First issue of document

Terminal Block, Plug

STB2040V-3.5-XX

